

Xpresso.



Xpresso.



Xpresso is a versatile family of stacking chairs designed to provide a practical and stylish solution for a range of environments.

Sleek and comfortable, with a lightweight yet robust chrome tubular steel frame, they can be linked together with the optional linking strip.

Ideal for use in a wide range of settings including educational establishments, cafes, auditoria, conference facilities and meeting rooms.

Xpresso.one

Xpresso in its purest form has a polypropylene back and seat, moulded for ergonomic support and comfort.







Xpresso.one is available in nine eye-catching colours that will complement any venue. Choose one colour or be creative and mix the colours up for extra vibrancy.





Xpresso.one bar stool (stacks up to 5)

The upholstered versions of Xpresso are perfectly suited to meeting or conference settings.



Xpresso.one with upholstered seat only and fully upholstered version

Xpresso.two



An alternative to the plastic back Xpresso, the mesh is a breathable supportive fabric allowing greater airflow for the user. The seat can be upholstered, available with or without arms. The mesh is available in black or white.



Xpresso.two with white mesh back

Xpresso.three

The elegantly contoured perforated back provides an alternative contemporary design aesthetic to the Xpresso family and sits perfectly in any environment.

A complementary bar stool is available.





Xpresso.three with arms



Xpresso.three bar stool

Writing tablet

The writing tablet is available for right or left hand use, simply detach to enable stacking.





Linking

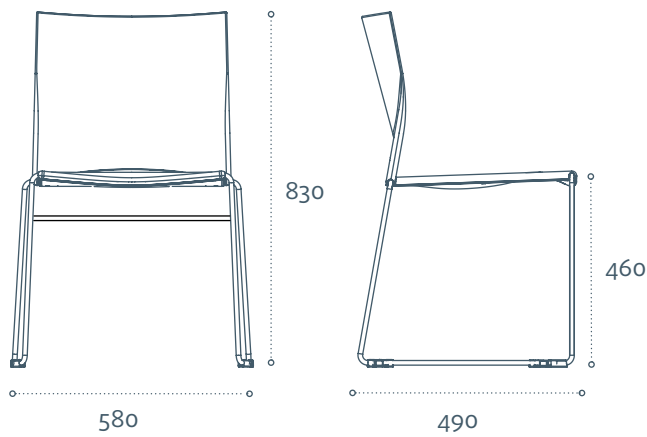
An optional linking strip enables chairs to connect together.

Stacking Trolley

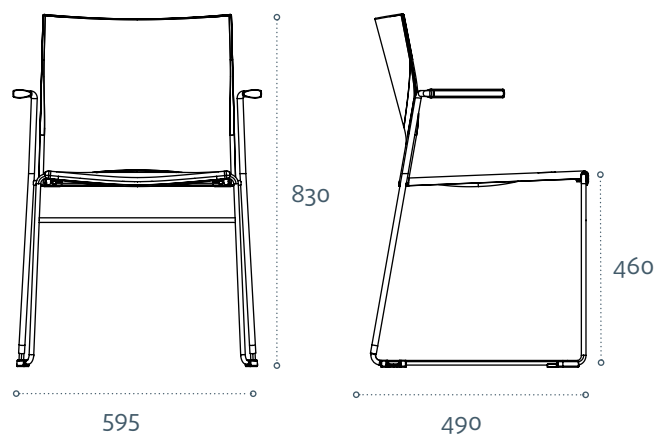
The Xpresso chair comfortably stacks to 10 high without the need for a trolley. The trolley enables stacking up to 45 high for convenient storage and easy manoeuvrability.



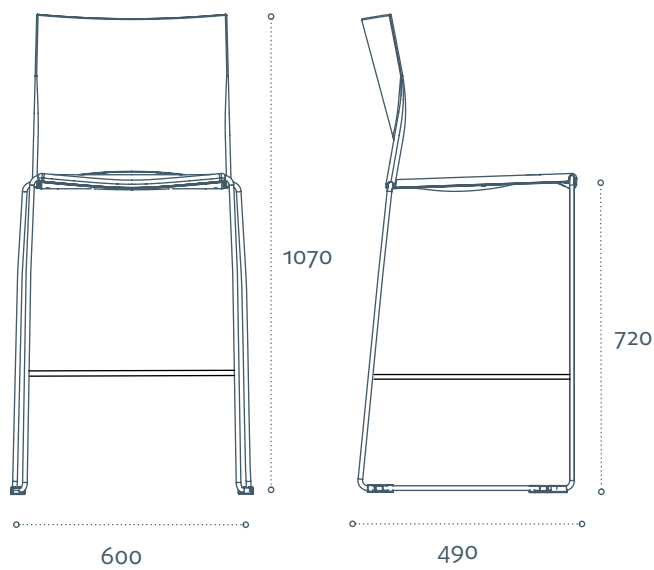
Technical information



Weight: 5.2kg



Weight: 7.7kg



Weight: 7.7kg

Colours



Available in nine versatile colourways. Other colours available subject to a minimum order quantity – please contact Customer Services.

Please note: Accuracy of printed or on-screen colours cannot be guaranteed. Please contact Customer Services for colour samples.

Specification

Polypropylene seat and back, tubular chrome steel frame, nylon glides. Chair available with or without black arms. Option of upholstered seat and/or back.

Certification

Xpresso chair BS EN 15373: 2007

Environment	
Recyclability	100%
Packaging	CFC free 100% recyclable
Adhesives	Solvent free

Installation examples



Installation examples



